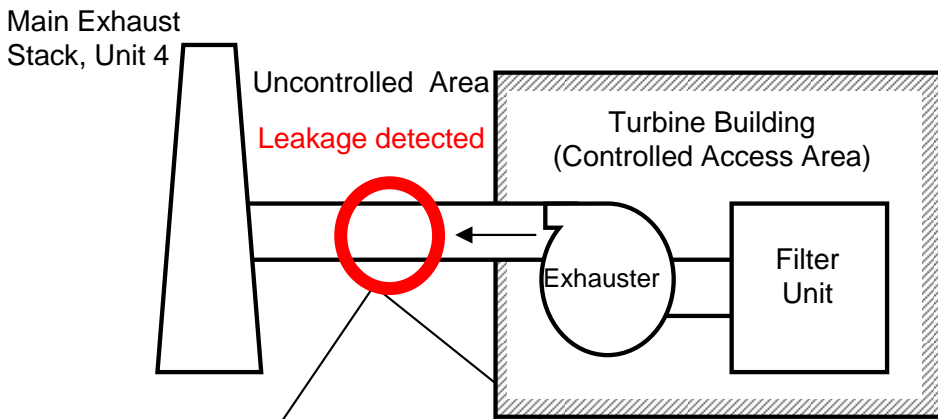
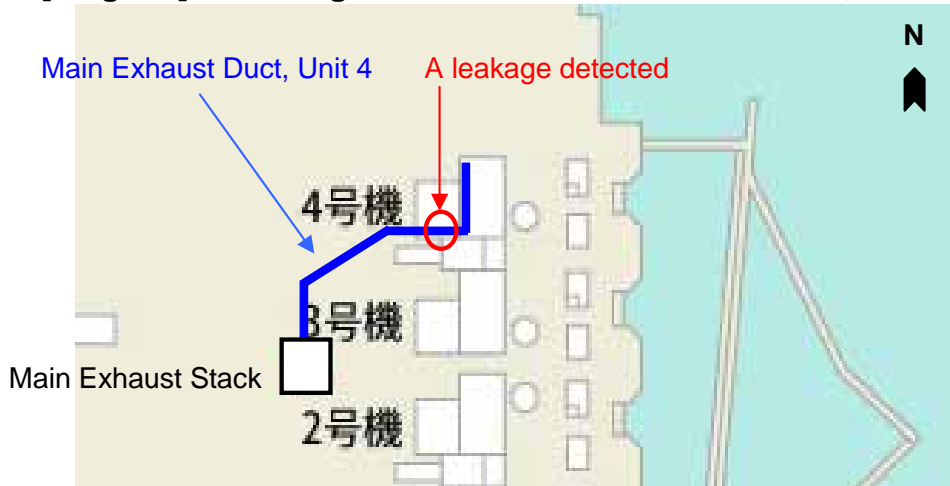
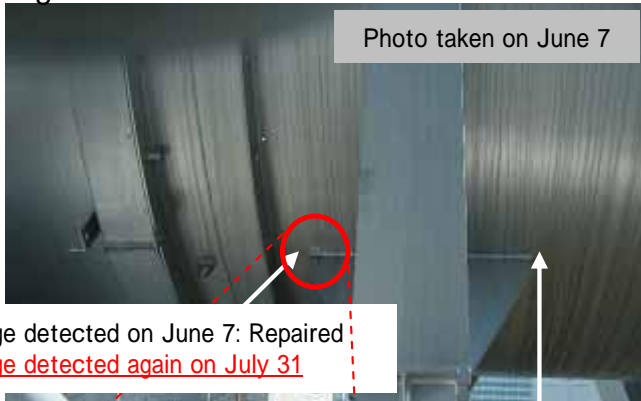


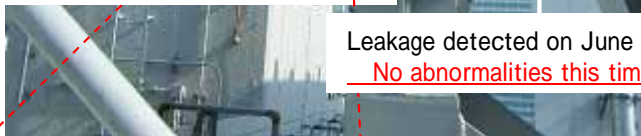
[Diagram] Air leakage at Main Exhaust Stack of Unit 4, Fukushima Daini Nuclear Power Station



Air leakage detected at Main Exhaust Duct of Unit 4 to which a supporting leg is welded



Leakage detected on June 7: Repaired  
Leakage detected again on July 31



Leakage detected on June 7: Repaired  
No abnormalities this time

